

SPIDER CRANE
MC815C

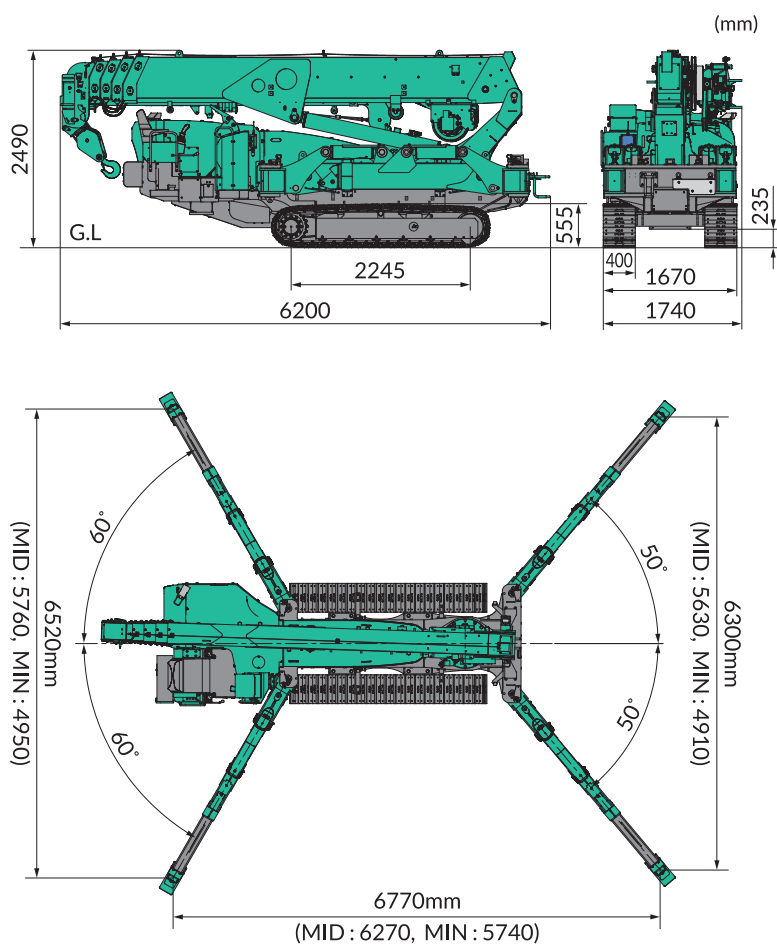
TECHNICAL DATA

Metric(CE)

Specifications

Crane Capacity	8.09t × 2.4m
Max. Working Radius	18.8m × 0.34t (0.44t at P-Mode)
Max.Lifting Height	19.6m (25.5m with fly jib)
Max. Reach Below Ground	-21.0m (6 falls) / -126.0m (single fall)
Outrigger Max.Extended Width	(Lateral) 6,770mm x (Front) 6,300mm x (Rear) 6,520mm
Pick & Carry Capacity	1,000kg
Travel Ground Pressure (MC815CRM)	52.0kpa [0.53kgf/cm ²]
Travel Ground Pressure (MC815CRME)	53.0kpa [0.54kgf/cm ²]
Engine	YANMAR 4TNV88C-NMB / Diesel
Engine Rated Output	30.5kw/2,500rpm
Electric Motor	15kw, 4P 380V
Dimensions	5,900mm (L) x 1,670mm (W) x 2,490mm (H)
Machine Weight	9,460kg (9,700kg with electric motor)

Dimensions



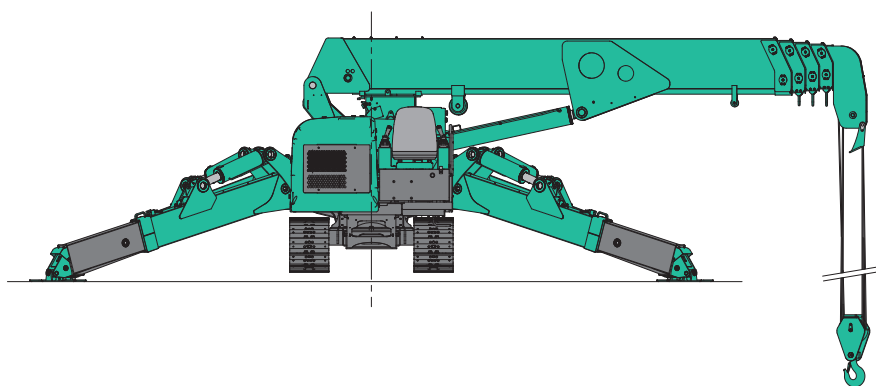
SPIDER CRANE
MC815C

TECHNICAL DATA

Metric(CE)

Working Range Chart

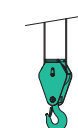
Max. Below Grade



6 Fall
21.0m



4 Fall
31.5m



2 Fall
63.0m



Single Fall
126.0m

