

CRAWLER CRANE  
CC985S-2

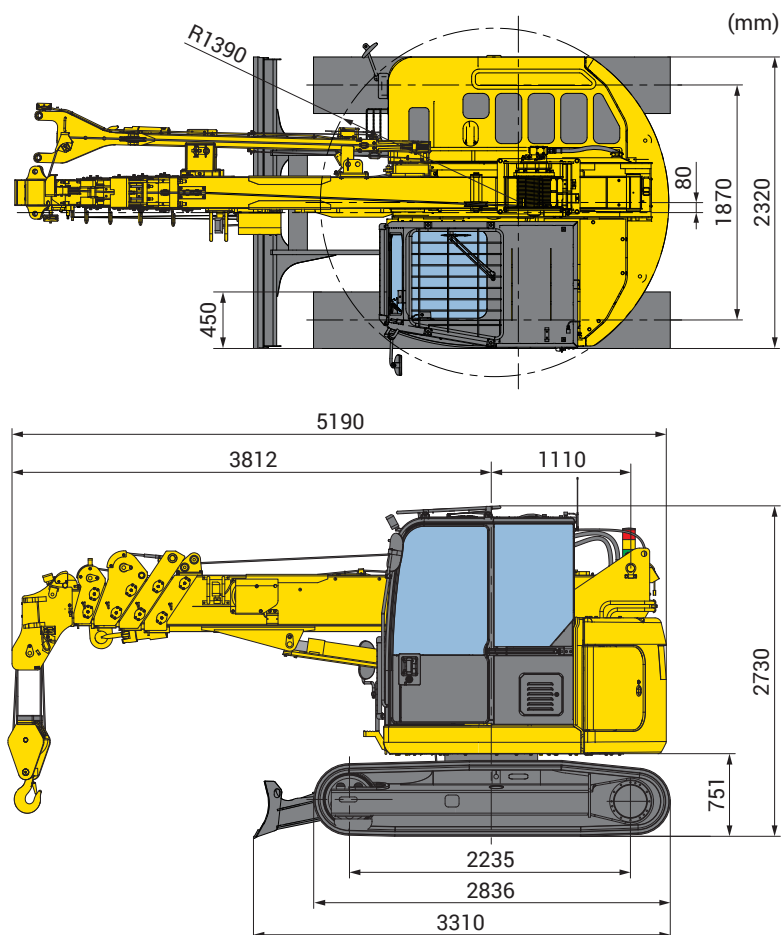
# TECHNICAL DATA

Metric(CE)

## Specifications

Model	CC985S-2
Crane Capacity	4.9t x 2.1m
Max. Working Radius	14.67m x 0.20t
Max. Lifting Height	16.50m (20.2m with fly jib)
Max. Reach Below Ground	-25.0m (4 falls)
Pick & Carry Capacity	2,000kg
Travel Speed	0-3.4km/h
Travel Ground Pressure (with rubber pads)	47.8kPa (0.49kgf/cm <sup>2</sup> ) [50.6kPa (0.52kgf/cm <sup>2</sup> ) w/blade & fly jib]
Engine	ISUZU 4LE2XBJB / Diesel
Engine Rated Output	44.6kW/2000min <sup>-1</sup> (60.6PS / 2000rpm)
Dimensions (with rubber pads)	5,220mm (L) x 2,320mm (W) x 2,760mm (H)
Tail swing	1,390mm
Machine Weight (with rubber pads)	9,790kg (10,190kg w/blade, 9,970kg w/fly jib, 10,370kg w/blade & fly jib)

## Dimensions



CRAWLER CRANE  
CC985S-2

TECHNICAL DATA  
Metric(CE)

Working Range Chart

Max. Below Grade

