

CRAWLER CRANE  
**CC1485S-2**

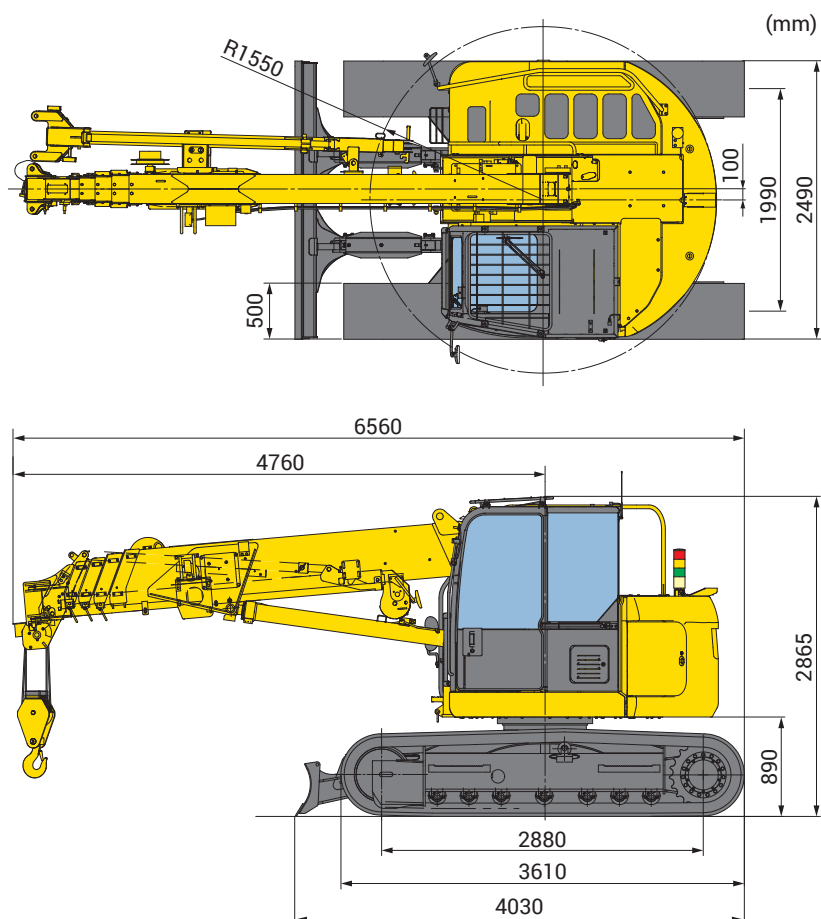
# TECHNICAL DATA

Metric(CE)

## Specifications

Model	CC1485S-2
Crane Capacity	6.0t x 2.6m
Max. Working Radius	16.1m
Max. Lifting Height	16.7m (22.0m with fly jib)
Max. Reach Below Ground	-24.5m (4 falls)
Pick & Carry capacity	2,000kg
Travel Speed	0-3.1km/h
Travel Ground Pressure (with rubber pads)	51.2kPa (0.52kgf/cm <sup>2</sup> ) [54.5kPa (0.56kgf/cm <sup>2</sup> ) w/blade & fly jib]
Engine	ISUZU 4LE2XBJB / Diesel
Engine Rated Output	44.6kW/2000min <sup>-1</sup> (60.6PS / 2000rpm)
Dimensions (with rubber pads)	6,610mm (L) x 2,490mm (W) x 2,910mm (H)
Tail swing	1,550mm
Machine Weight (with rubber pads)	15,030kg (15,710kg w/blade, 15,330kg w/fly jib, 16,010kg w/blade & fly jib)

## Dimensions



CRAWLER CRANE  
**CC1485S-2**

# TECHNICAL DATA

Metric(CE)

## Working Range Chart

